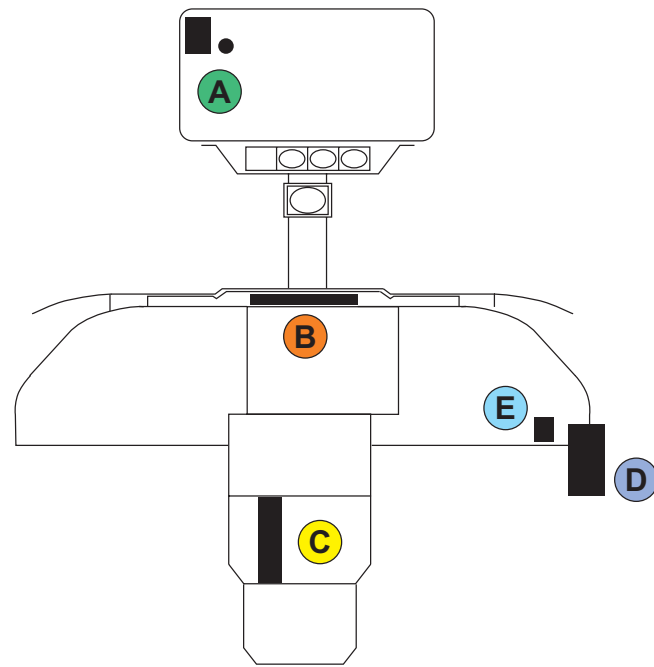
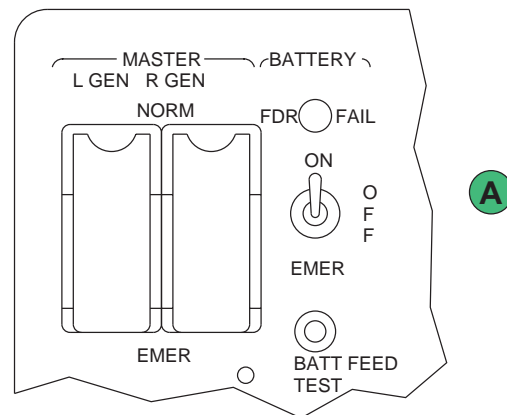


## Emergency Flight Deck Procedures



### To Remove Electrical Power

- L and R Master Gen switch to **EMER**.
- Battery switch to **OFF**.



### Engine Fire Emergency Procedures

- Lift cover and push illuminated LH and/or RH illuminated **ENG FIRE** switch to close fuel valve and arm engine extinguisher.
- Push either illuminated **BOT ARMED** switch.
- Push remaining illuminated **BOT ARMED** switch (if necessary).

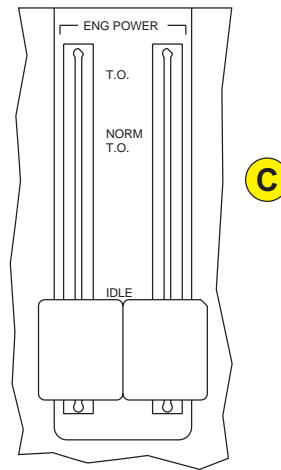


### Emergency Access to Fuselage

- Cut in the immediate area of a fuselage window approximately 4" outward and around the window periphery. **Use window above Wing.**
- Avoid cutting around aircraft door or emergency door as these areas are stiffened.
  - Avoid cutting in the roof area as there are electrical and oxygen lines in that location.

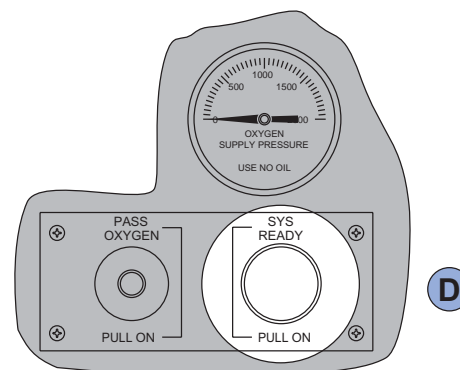
### To Remove Engine Power

- With thrust reversers - Pull up detent release lever and move the thrust reversers over the detents to the **CUTOFF** position.
- Without thrust reversers - Pull lever up and move back over detents to **CUTOFF** position.



### Shut off Oxygen System

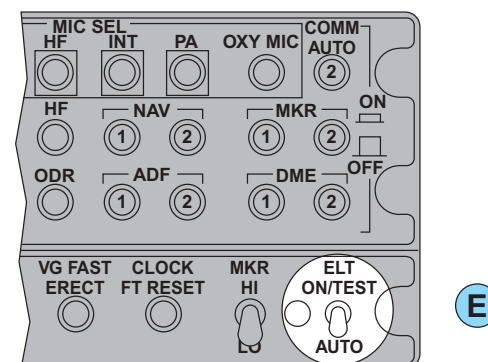
- Push **SYS READY** knob full forward.



### Emergency Locator Transmitter (ELT)

The ELT can be turned off in two ways.

- There is an **ELT ON/TEST AUTO** switch on the RH side of the Co-Pilot's instrument panel. Set the switch to the **ON/TEST** position then back to **AUTO**.
- On the ELT, set the switch from the **ON** position to the **AUTO** position.



# BEECHJET MODEL 400/400A

# CRASH, FIRE, AND RESCUE INFORMATION

EXPORT STATEMENT  
Exported under the authority of license exception: TSU.  
"These commodities, technology or software were exported from the United States in accordance with Export Administration Regulations.  
Diversion contrary to U.S. law prohibited."

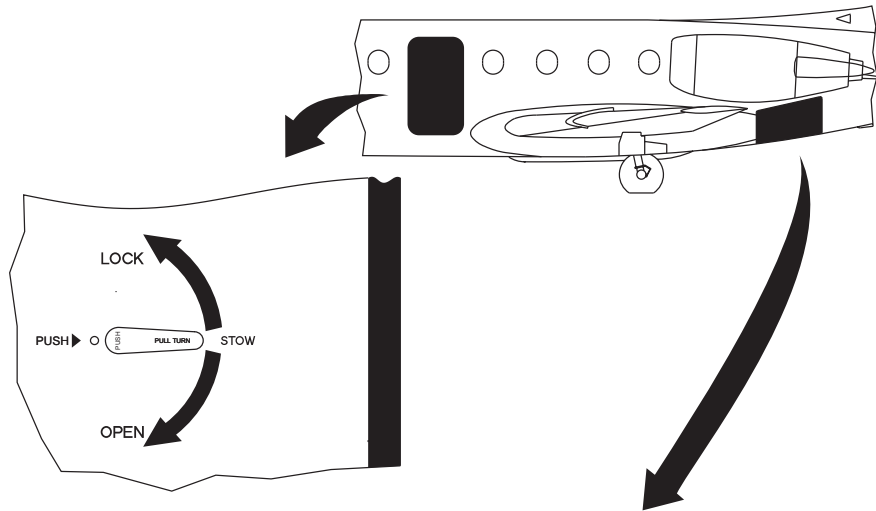
Published By  
Raytheon Aircraft Company  
P.O. Box 85  
WICHITA, KANSAS 67201  
U.S.A.

Copyright © Raytheon Aircraft Company 2003

The 400/400A has one emergency exit located on the RH side of the passenger compartment. One of the cabin windows is located within the door. The passenger door also can be used as an emergency exit.

### Passenger Door

To open the door, push and hold the button near the handle. Pull the handle outward and rotate to the open position. Pull the door open and return the handle to the stow position.

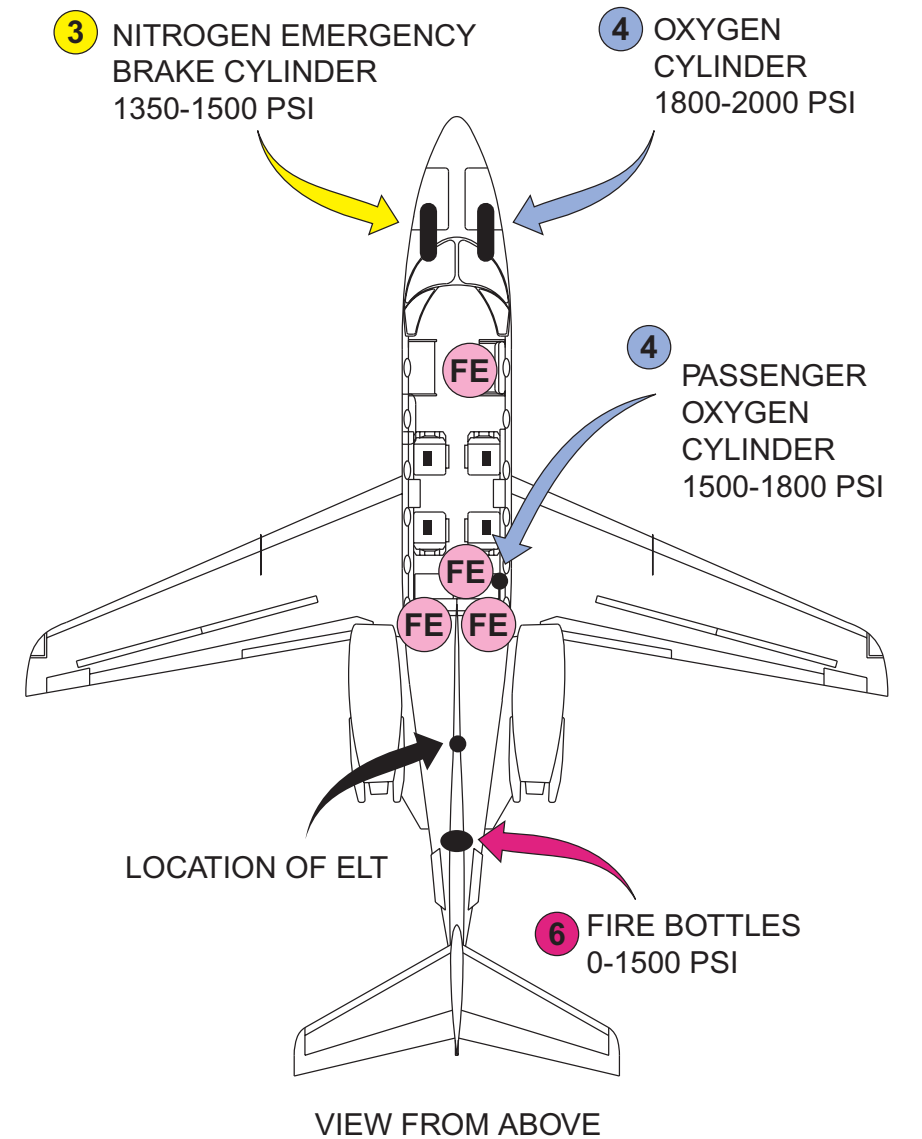
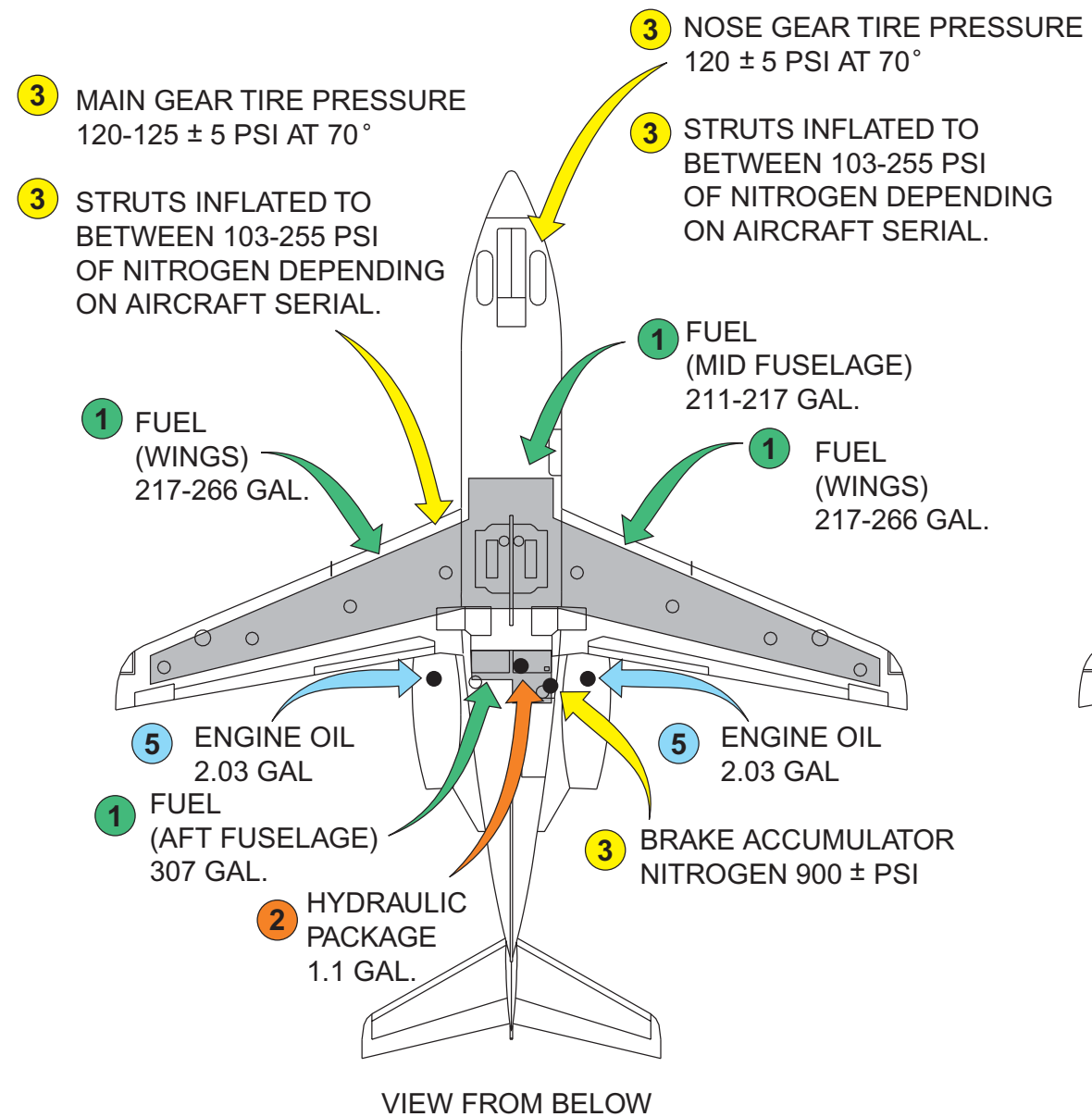
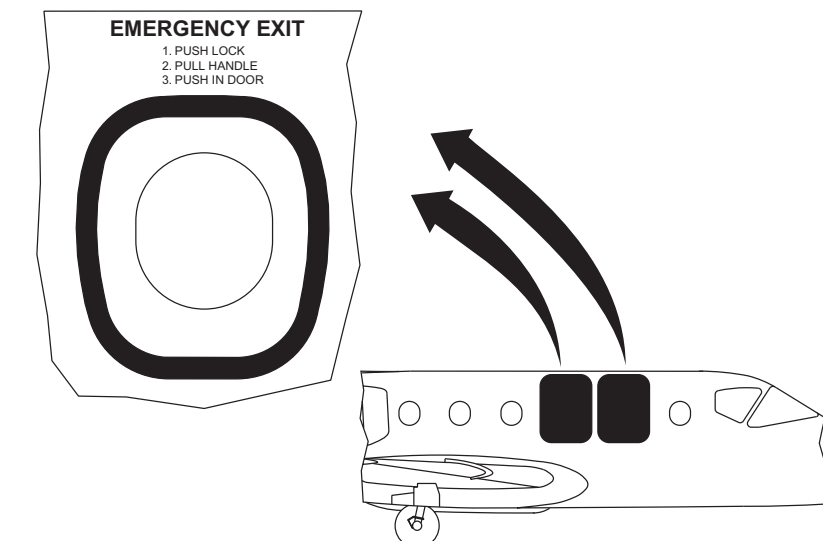


### Battery Compartment

Actuate the buttons to open the door. The battery is located inside the aft fuselage on the LH side. Remove lockwire (cut if necessary) and remove battery connector from the battery. Battery could be 24 volt lead acid or nicad.

### Emergency Exit

From the outside, the door is opened by pushing the lock, pulling the handle and pushing in on the door. Emergency exit door could be in either location shown depending on serial of aircraft.



- 1 Possible fuel types: Jet A, Jet A-1, JP-4, JP-5, JP-8 or No. 3 Jet Fuel (RP-3)
- 2 Hydraulic Fluid: MIL-H-5606
- 3 Nitrogen Type: BB-N-411C type 1 class 1 grade A
- 4 Oxygen: MIL-0-27210
- 5 Engine Oil: MIL-L-23699
- 6 Fire Bottle and Extinguishers: Halon 1301

